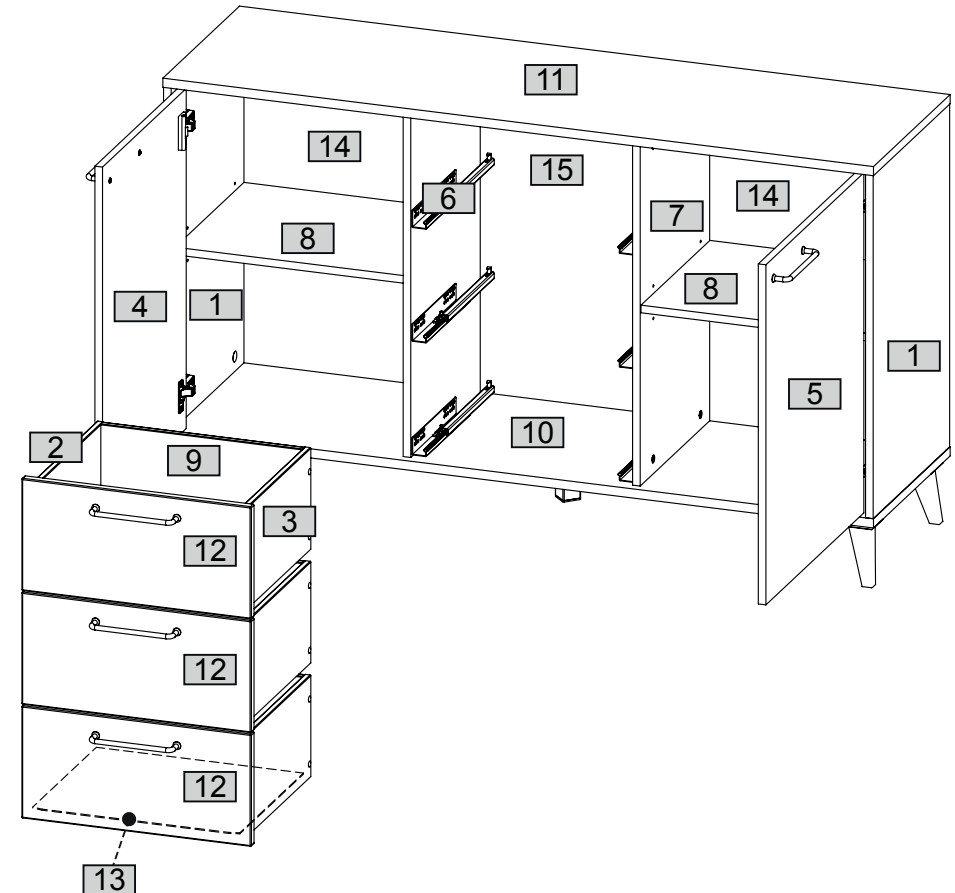


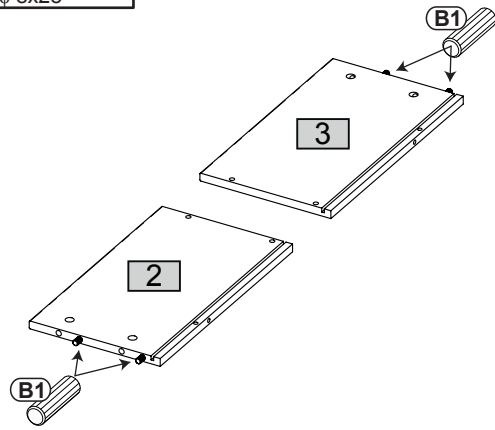
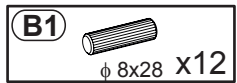
| Nr | | | | pcs | |
|----|------|-----|----|-----|---|
| 1 | 676 | 414 | 15 | 2 | 1 |
| 2 | 350 | 200 | 12 | 3 | 1 |
| 3 | 350 | 200 | 12 | 3 | 1 |
| 4 | 670 | 453 | 15 | 1 | 1 |
| 5 | 670 | 453 | 15 | 1 | 1 |
| 6 | 676 | 376 | 15 | 1 | 2 |
| 7 | 676 | 376 | 15 | 1 | 2 |
| 8 | 450 | 368 | 15 | 2 | 2 |
| 9 | 397 | 200 | 12 | 3 | 1 |
| 10 | 1400 | 415 | 18 | 1 | 2 |
| 11 | 1400 | 415 | 18 | 1 | 2 |
| 12 | 452 | 221 | 16 | 3 | 1 |
| 13 | 408 | 349 | 2 | 3 | 2 |
| 14 | 690 | 465 | 2 | 2 | 1 |
| 15 | 690 | 451 | 2 | 1 | 1 |



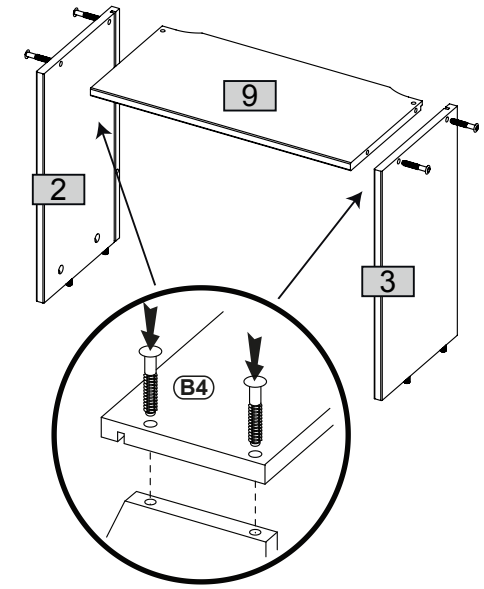
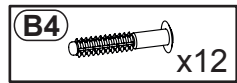
0 10 20 30 40 50 60 70 80 90 100 110 120 130 140 150 160 170 180 190 200



1

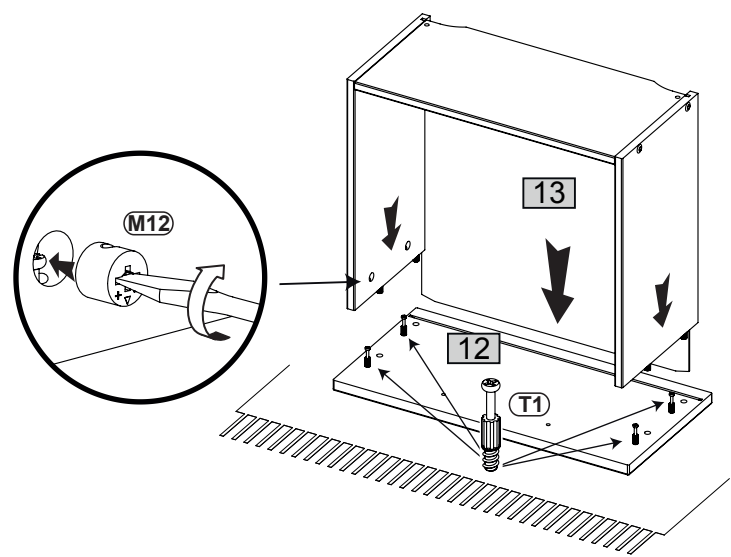
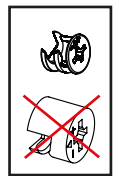
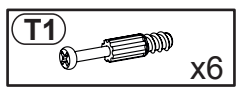


2

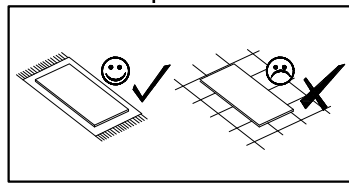
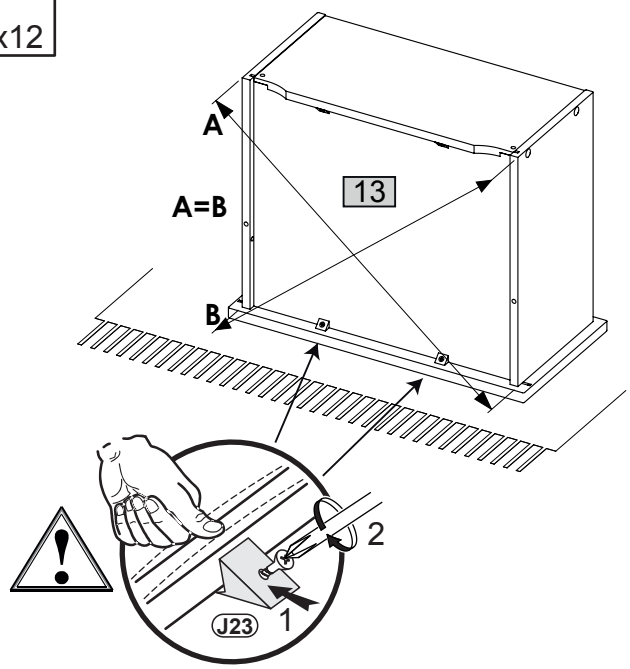
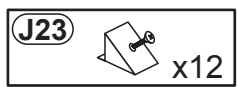


x3

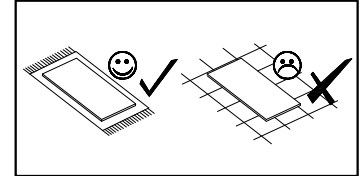
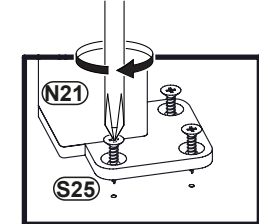
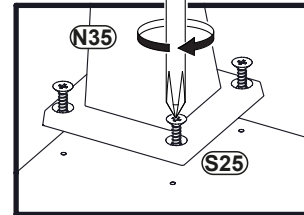
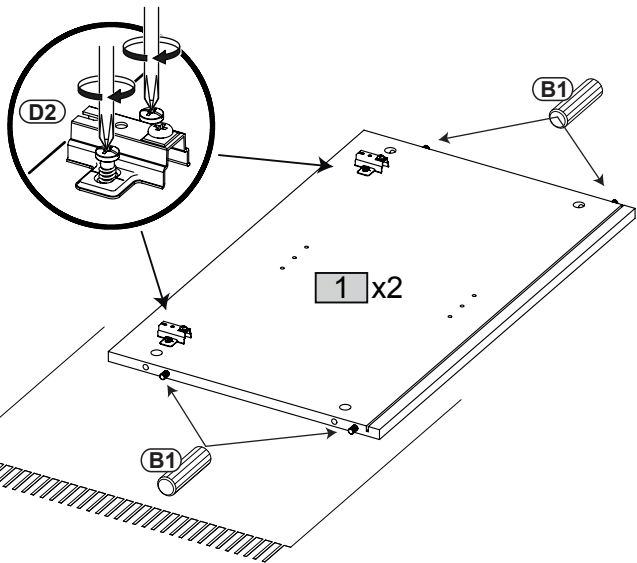
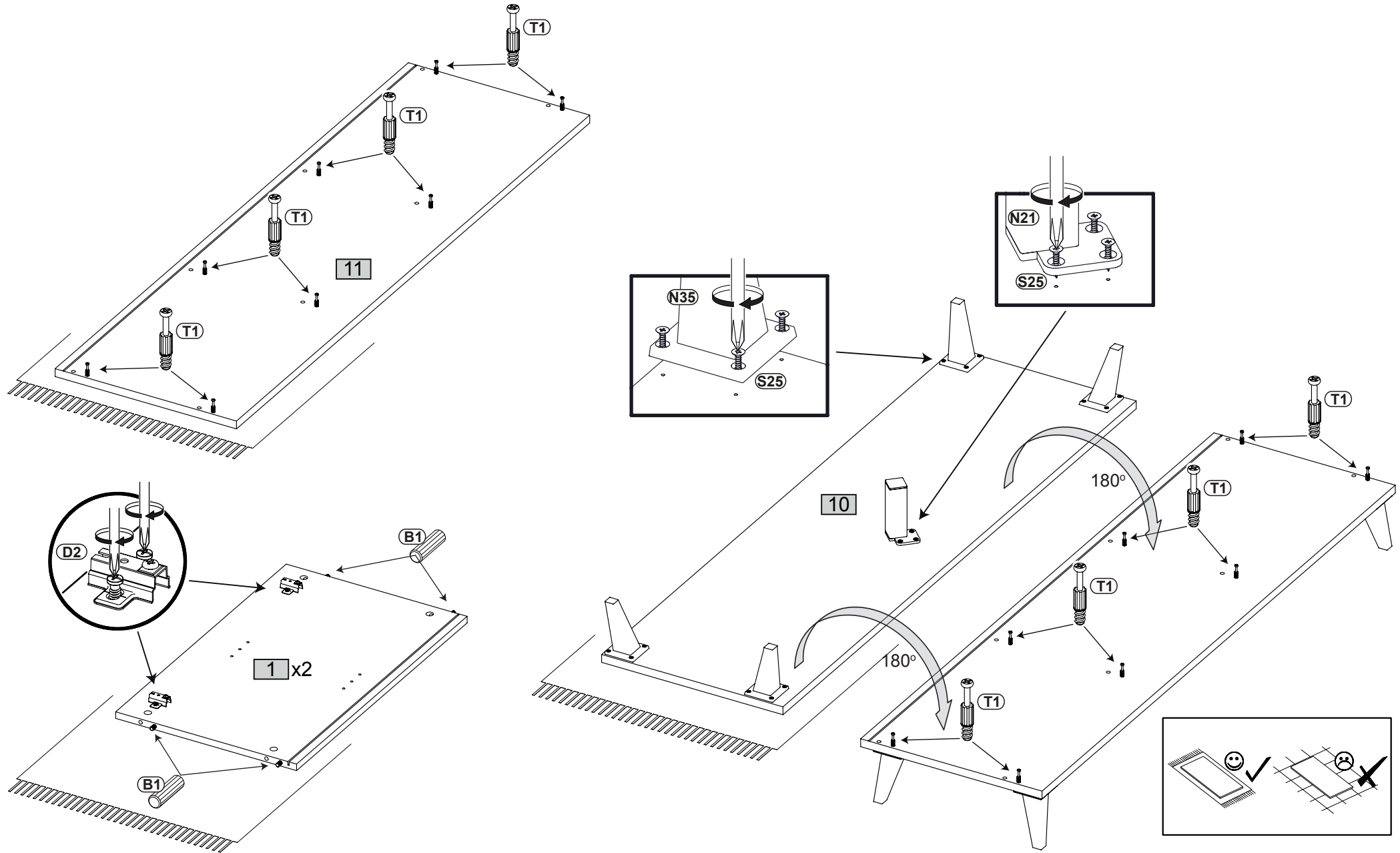
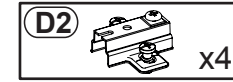
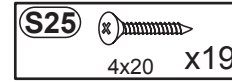
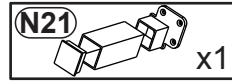
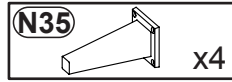
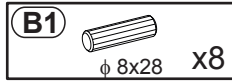
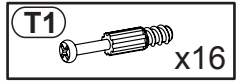
3



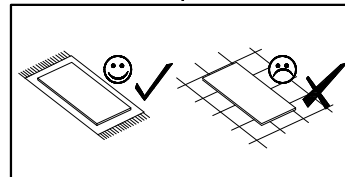
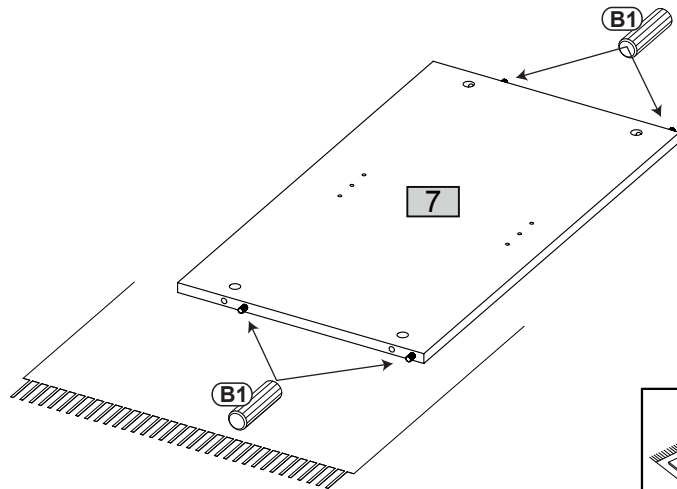
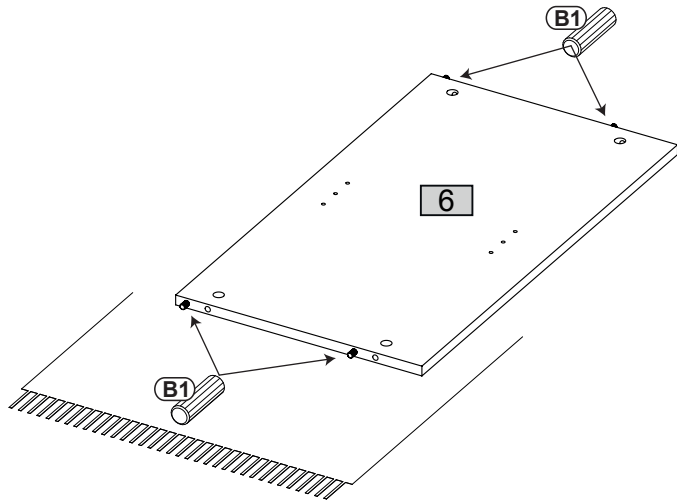
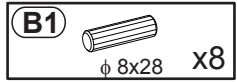
4



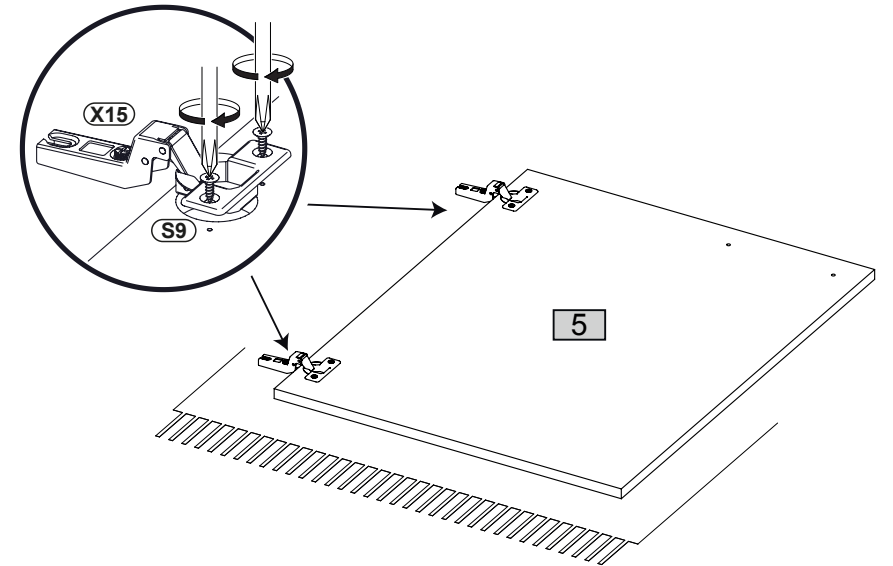
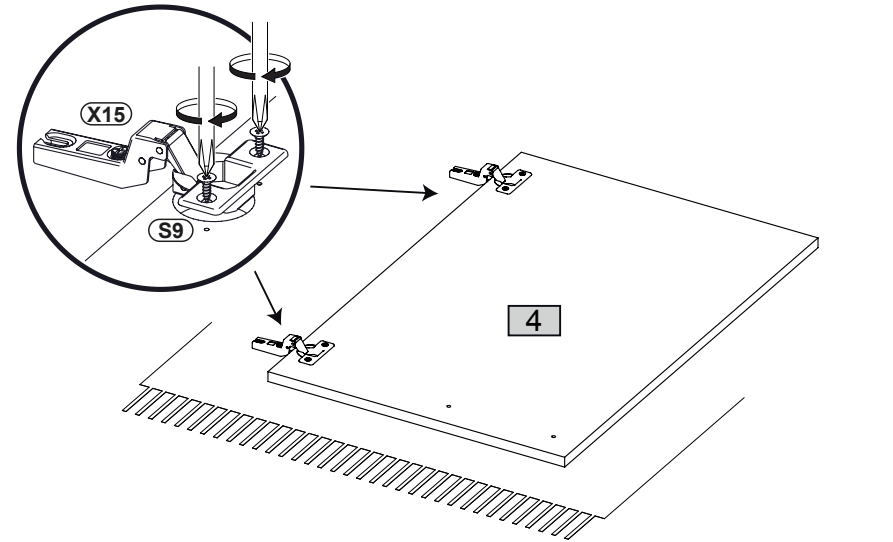
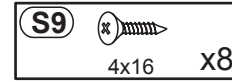
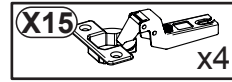
5



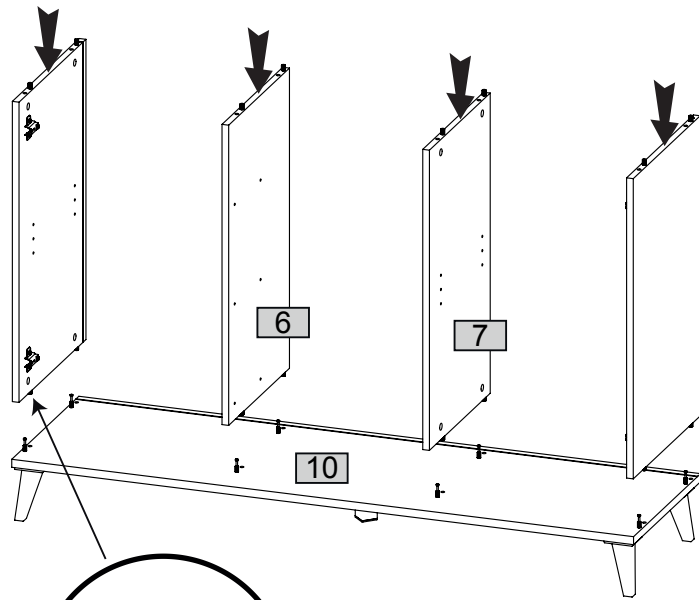
6



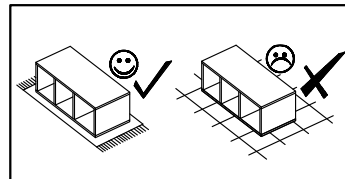
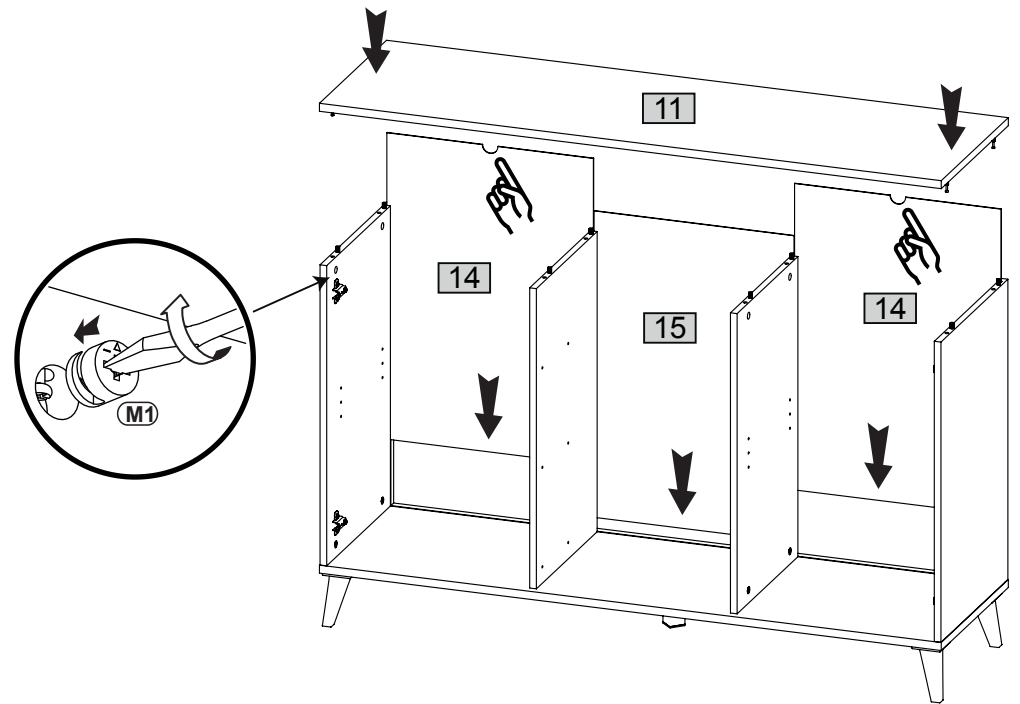
7



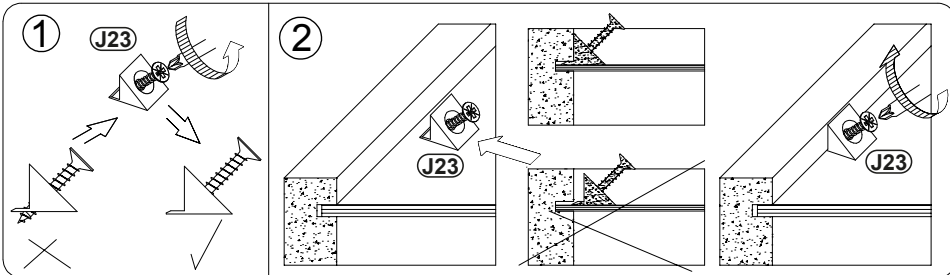
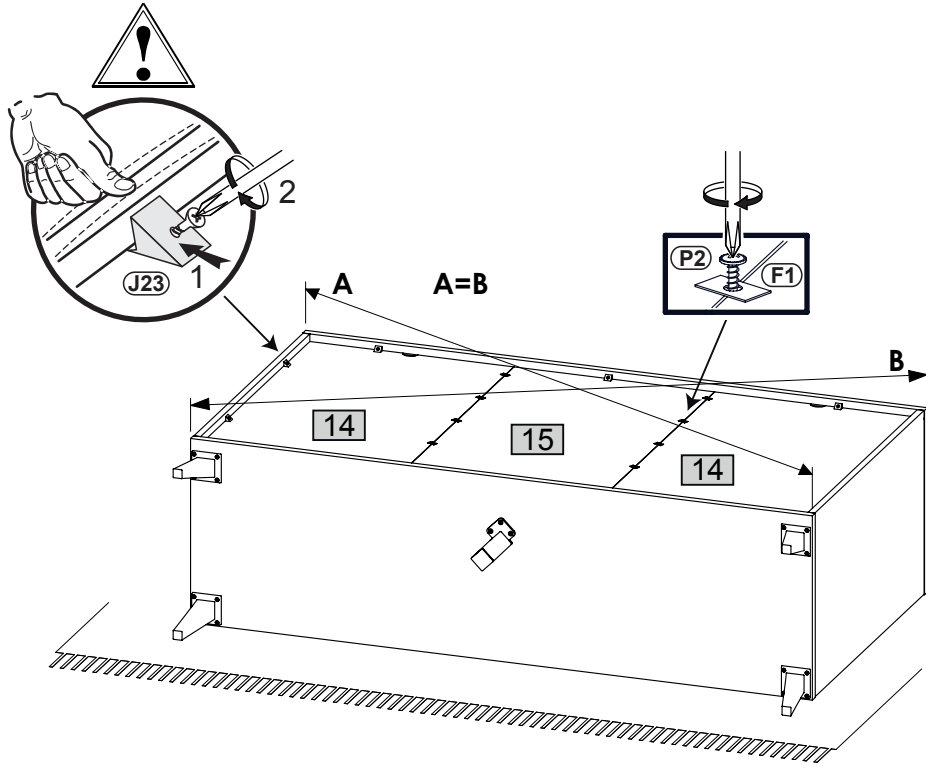
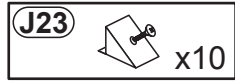
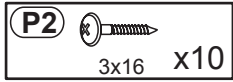
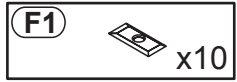
8



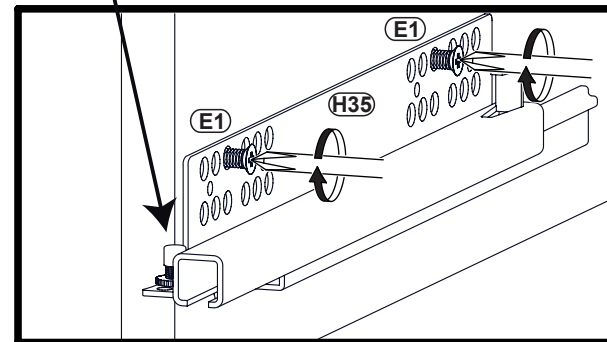
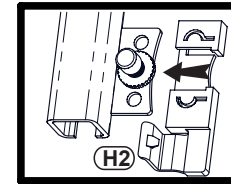
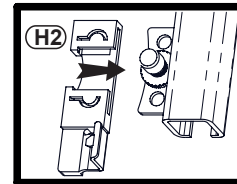
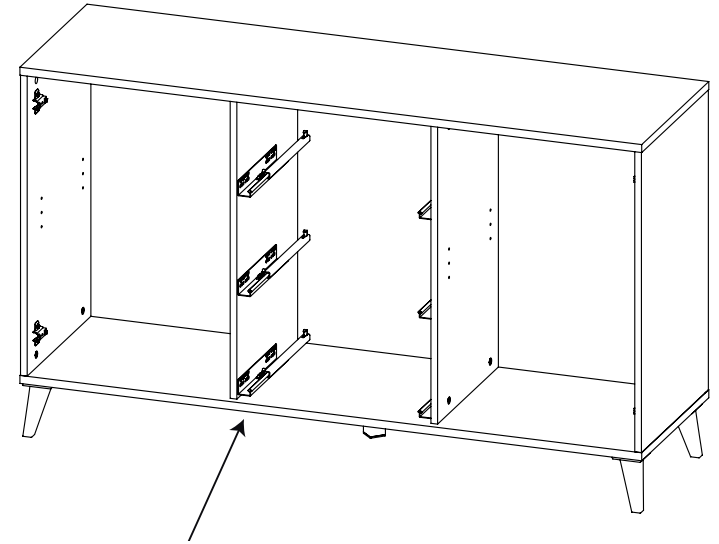
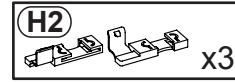
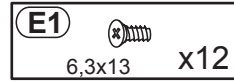
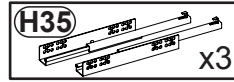
9



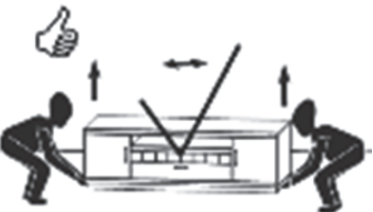
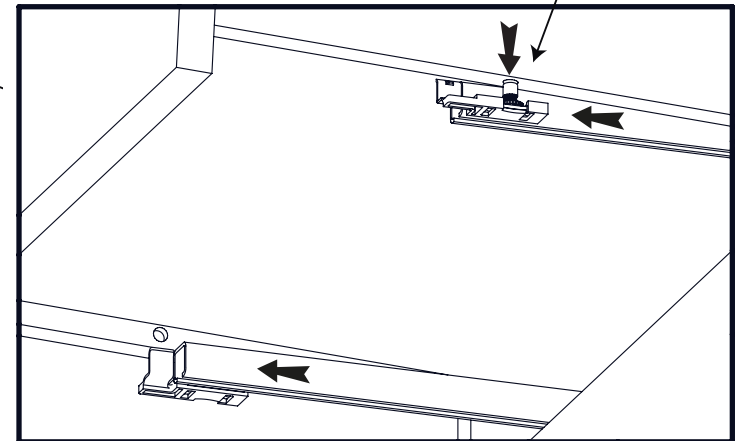
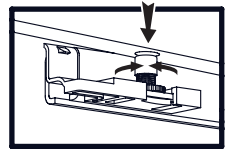
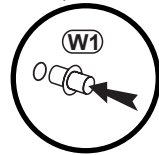
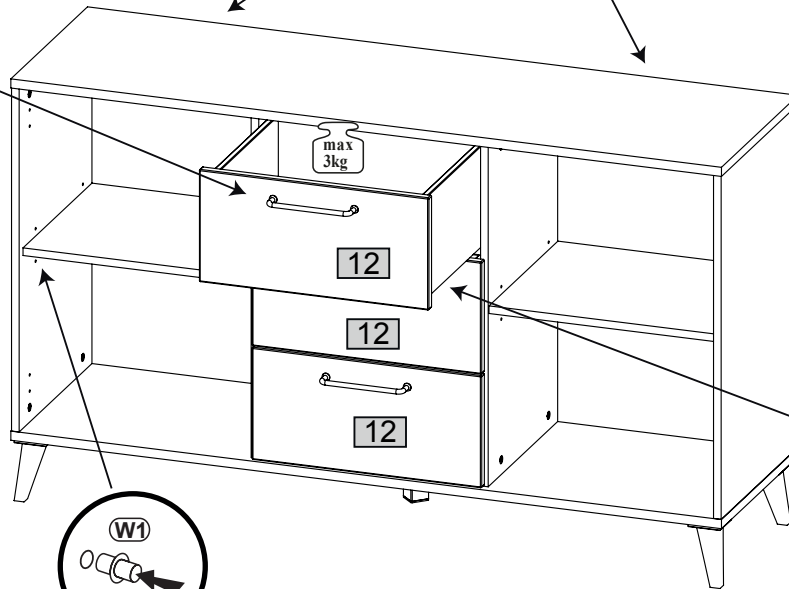
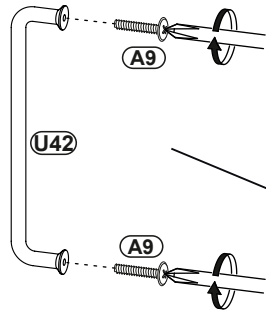
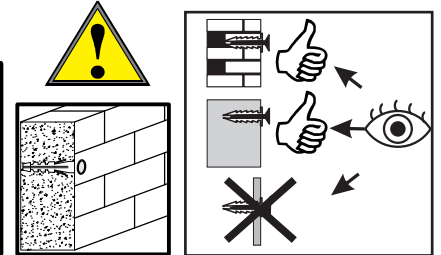
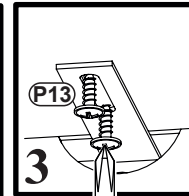
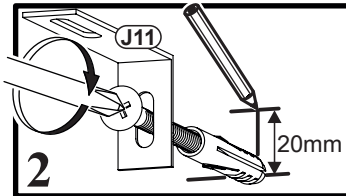
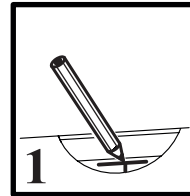
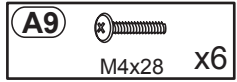
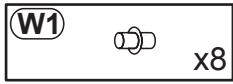
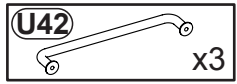
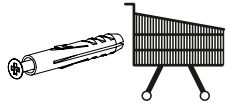
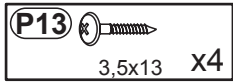
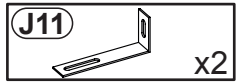
10



11



12



13

